

Slotted Blade Antenna

3061 Industry Drive, Lancaster, PA 17603-4025 • Tel 717-397-2777 • Fax 717-397-7079 • www.herley.com

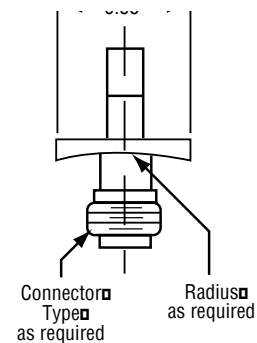
FEATURES:

- Linear radiation coverage with minimum aerodynamic drag.
- Antenna body constructed of stainless steel.
- Single or multi-element arrays used.

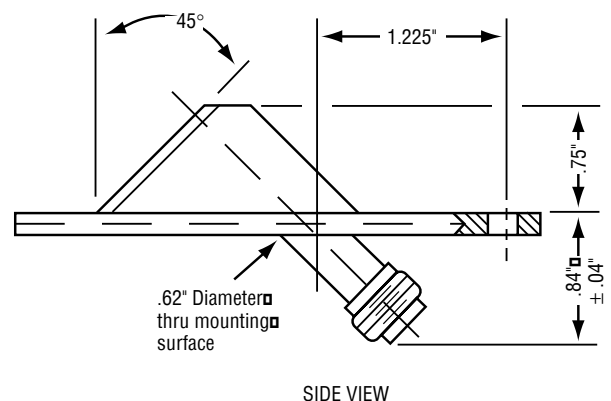
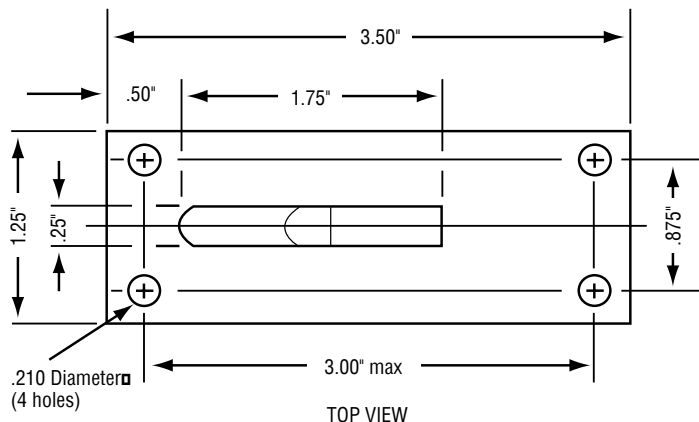


The 801C Slotted Blade Antenna series is rugged but lightweight, developed as part of a C-Band radar transponder system. Linear radiation coverage with minimum aerodynamic drag were key requirements in the design of the 801C. The body of the antenna is constructed of stainless steel which gives excellent reliability in missile environments with no degradation in electrical performance.

The antenna may be used as a single element or in multielement arrays depending on the particular application and desired pattern coverage. The companion power dividers are Models 853-2C, 854-3C and 855-4C (two, three and four-way, respectively.)



FRONT VIEW



Typical Outline - does not show all features - not to be used for generation of control drawings. For detailed outline drawing of a specific part number please contact Herley Industries, Inc.

EXPORT SALES OF THIS PRODUCT ARE SUBJECT TO U.S. GOVERNMENT APPROVAL.
SALES WILL NOT BE APPROVED TO COUNTRIES PROHIBITED BY THE INTERNATIONAL TRAFFIC IN ARMS REGULATIONS (ITAR).