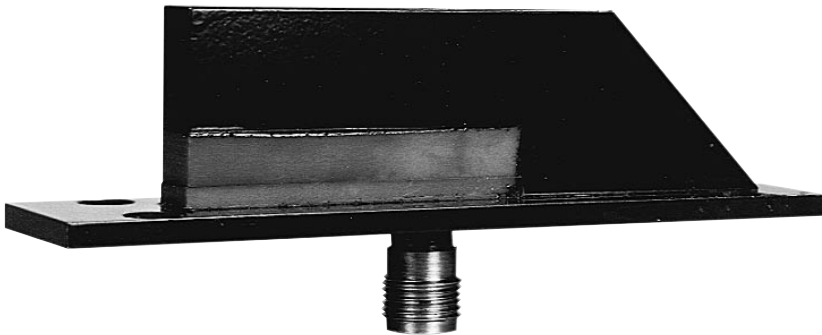


# 803L L-Band Slotted Blade Antenna

3061 Industry Drive, Lancaster, PA 17603-4025 • Tel 717-397-2777 • Fax 717-397-7079 • [www.herley.com](http://www.herley.com)

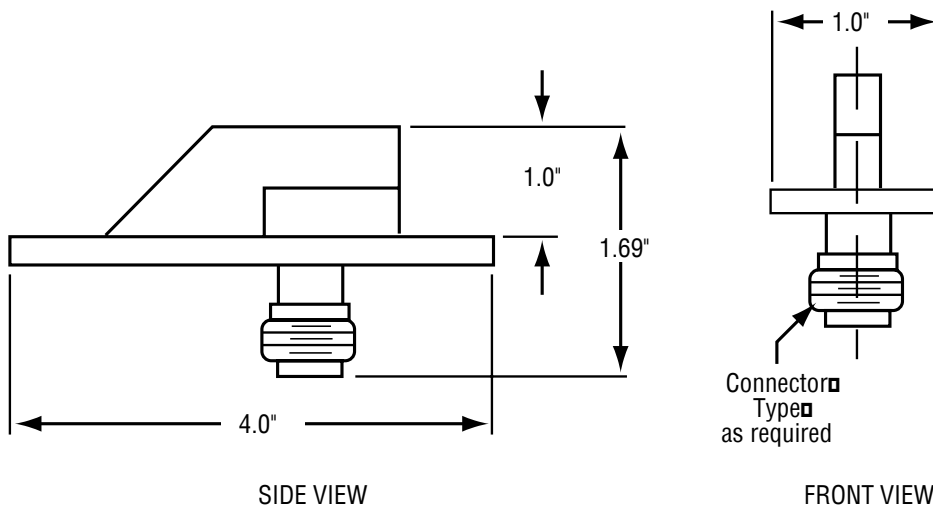
## FEATURES:

- Linear radiation coverage with minimum aerodynamic drag
- Antenna body constructed of stainless steel
- Single or multi-element arrays used



The Model 803L Slotted Blade Antenna was developed as part of an L-Band radar transponder system for use in drone application as an enhancement device for a tracking radar. The antenna provides linear radiation coverage with minimum aerodynamic drag. The body of the antenna is constructed of stainless steel which gives excellent reliability in missile environments with no degradation in electrical performance.

The Model 803L antenna may be used as a single element or in multi-element arrays depending on the particular application and desired pattern coverage.



Typical Outline - does not show all features - not to be used for generation of control drawings. For detailed outline drawing of a specific part number please contact Herley Industries, Inc.

EXPORT SALES OF THIS PRODUCT ARE SUBJECT TO U.S. GOVERNMENT APPROVAL.  
SALES WILL NOT BE APPROVED TO COUNTRIES PROHIBITED BY THE INTERNATIONAL TRAFFIC IN ARMS REGULATIONS (ITAR).