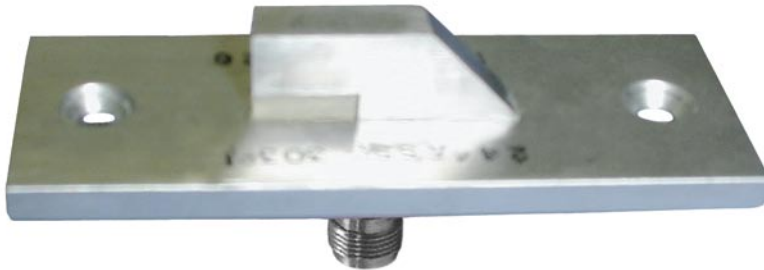


8100C C-Band Slotted Blade Antenna

3061 Industry Drive, Lancaster, PA 17603-4025 • Tel 717-397-2777 • Fax 717-397-7079 • www.herley.com

FEATURES:

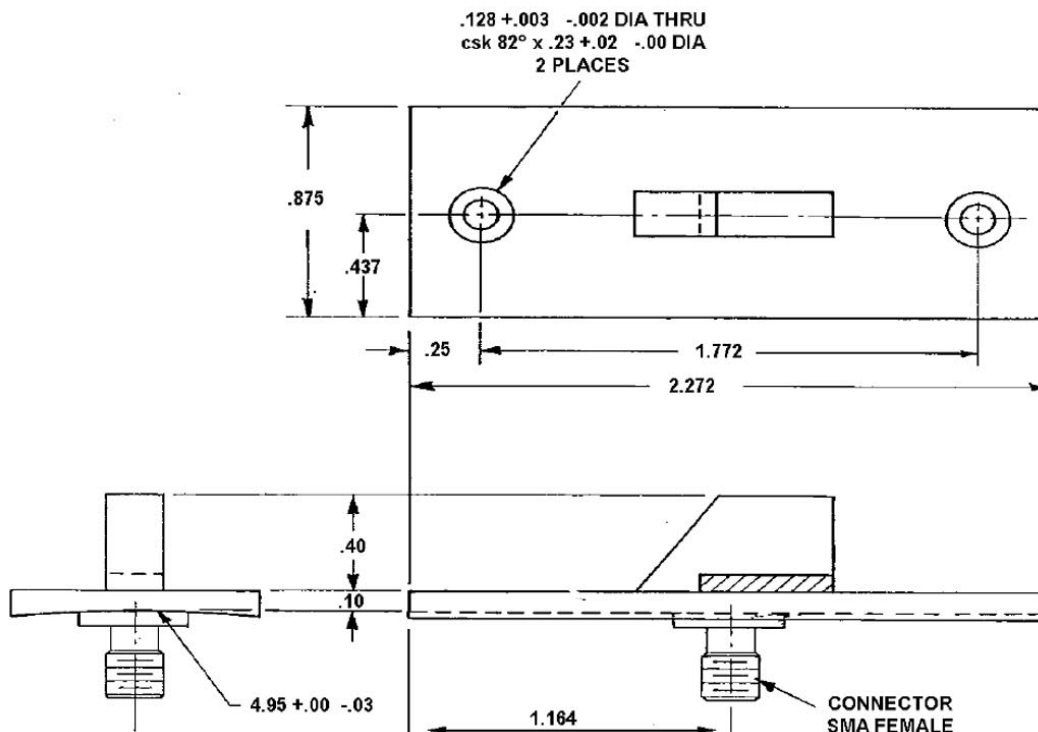
- 5.4 to 5.9 GHz frequency
- Provides linear radiation coverage with a minimum aerodynamic drag
- Antenna body constructed of stainless steel which gives excellent reliability in missile and other high velocity environments
- Used in a single element or in multi-element arrays



The Model 8100C Slotted Blade C-Band Antenna was developed from the Model 801C version of the slotted blade to fulfill new requirements for lower profiles with the same type of excellent hemi-spherical coverage.

The antenna provides linear radiation coverage with a minimum aerodynamic drag. The body of the antenna is constructed of stainless steel which gives excellent reliability in missile and other high velocity environments.

The 8100C antenna can be used as a single element or in multi-element arrays about the circumference of a vehicle depending on the particular applications and desired pattern coverage. The companion power dividers are Models 853-2C1, 854-3C1, and 855-4C1.



Typical Outline - does not show all features - not to be used for generation of control drawings. For detailed outline drawing of a specific part number please contact Herley Industries, Inc.

EXPORT SALES OF THIS PRODUCT ARE SUBJECT TO U.S. GOVERNMENT APPROVAL.
SALES WILL NOT BE APPROVED TO COUNTRIES PROHIBITED BY THE INTERNATIONAL TRAFFIC IN ARMS REGULATIONS (ITAR).