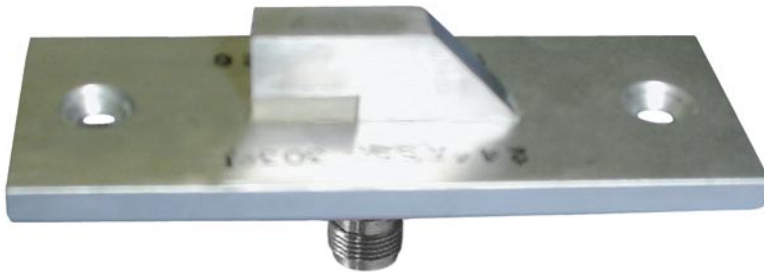


# 8100X X-Band Slotted Blade Antenna

3061 Industry Drive, Lancaster, PA 17603-4025 • Tel 717-397-2777 • Fax 717-397-7079 • www.herley.com

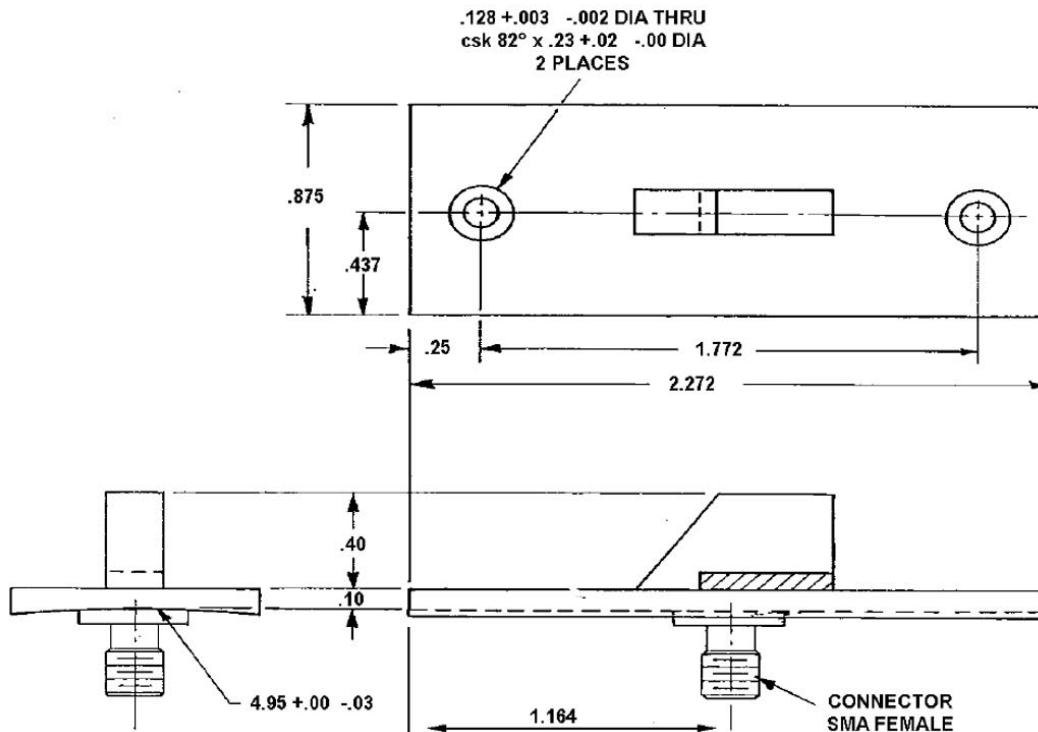
## FEATURES:

- 9.0 to 9.6 GHz frequency
- Vertical and horizontal linear response
- Antenna body constructed of stainless steel with a low-loss dielectric filler in the slot
- Three-quarter wavelength slotted blade providing wider bandwidth



The Model 8100X Slotted Blade X-Band Antenna is a three-quarter wave-length slotted blade, providing wider bandwidth.

The antenna is constructed of stainless steel with a low-loss dielectric filler in the slot. It responds to both horizontal and vertical polarization. These antennas may be arrayed about the circumference of a vehicle, fed through phased cables by a two, three, or four-way power dividers (Models 853-2X1, 854-3X1, and 855-4X1, respectively).



Typical Outline - does not show all features - not to be used for generation of control drawings. For detailed outline drawing of a specific part number please contact Herley Industries, Inc.

EXPORT SALES OF THIS PRODUCT ARE SUBJECT TO U.S. GOVERNMENT APPROVAL.  
SALES WILL NOT BE APPROVED TO COUNTRIES PROHIBITED BY THE INTERNATIONAL TRAFFIC IN ARMS REGULATIONS (ITAR).