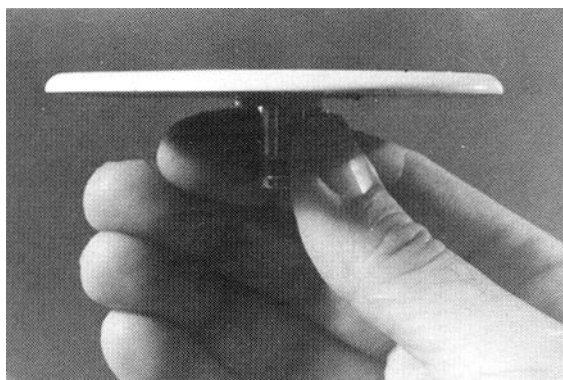


8201 Microstrip Altimeter Antenna

3061 Industry Drive, Lancaster, PA 17603-4025 • Tel 717-397-2777 • Fax 717-397-7079 • www.herley.com



THIN PROFILE

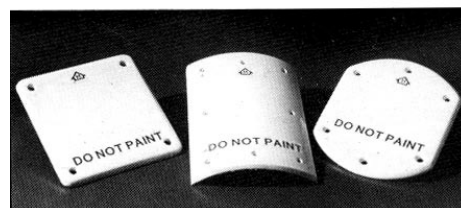
Only one small cutout in the aircraft skin is required for easy installation.

The Herley P/N 8201 Radar Altimeter Antennas are designed to be used in conjunction with the Herley 4500, 4501 and 4502 series Radar Altimeters.

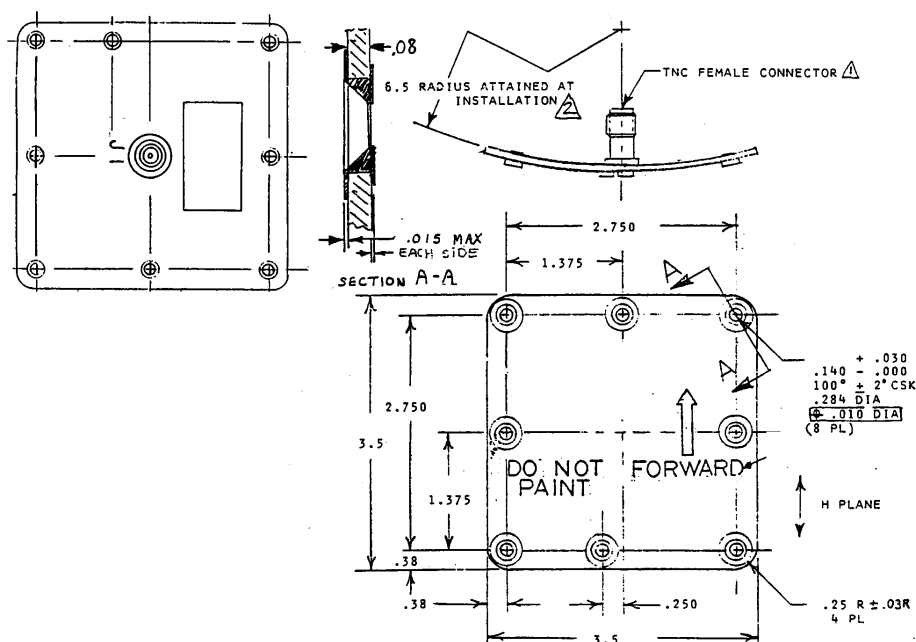
FEATURES:

- Frequency range of 4.2 to 4.4 GHz
- High temperature operation
- Small size and light weight
- Ease of installation
- Easily contoured or shaped

4 SCREW INSTALLATION



Special Shapes Upon Request



Typical Outline - does not show all features - not to be used for generation of control drawings. For detailed outline drawing of a specific part number please contact Herley Industries, Inc.

EXPORT SALES OF THIS PRODUCT ARE SUBJECT TO U.S. GOVERNMENT APPROVAL.
SALES WILL NOT BE APPROVED TO COUNTRIES PROHIBITED BY THE INTERNATIONAL TRAFFIC IN ARMS REGULATIONS (ITAR).