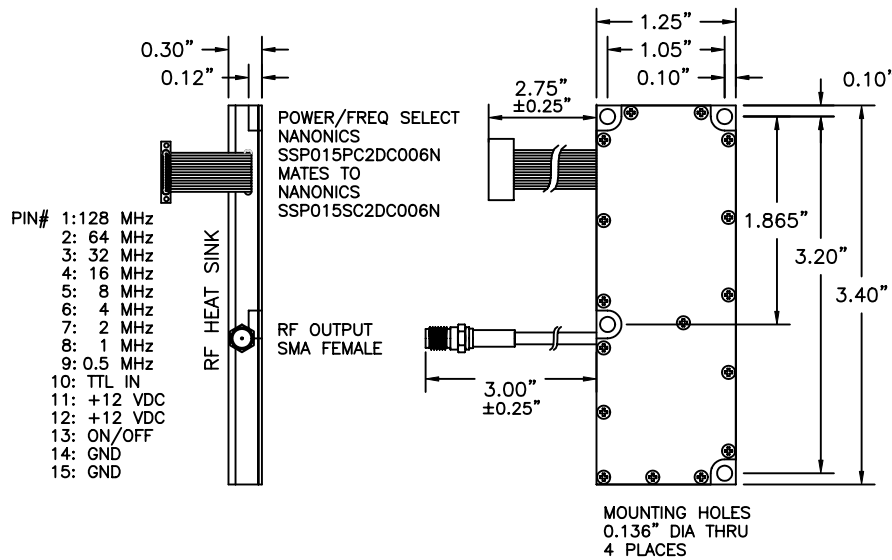


HFMT2000DS-3C

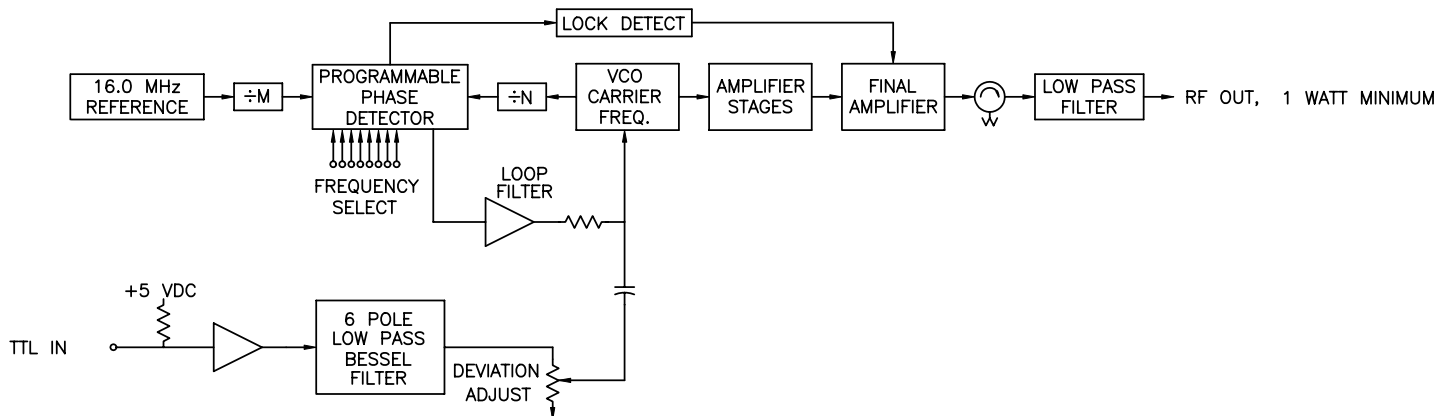
Telemetry Transmitter

3061 Industry Drive, Lancaster, PA 17603-4025 • Tel 717-397-2777 • Fax 717-397-7079 • www.herley.com



FEATURES:

- 2200.5 MHz to 2299.5 MHz in 0.5 MHz steps
- 2 Watt minimum, power output
- +12 +4.5/1.5 VDC Reverse Polarity Protected
- Carrier stability 0.002%
- Temperature, -40°C to +70°C
- Shock, 100 G's, 1/2 sine, 11 msec
- Lightweight, 2 ounces, maximum



Typical Outline - does not show all features - not to be used for generation of control drawings. For detailed outline drawing of a specific part number please contact Herley Industries, Inc.

EXPORT SALES OF THIS PRODUCT ARE SUBJECT TO U.S. GOVERNMENT APPROVAL.
SALES WILL NOT BE APPROVED TO COUNTRIES PROHIBITED BY THE INTERNATIONAL TRAFFIC IN ARMS REGULATIONS (ITAR).