

HFTT202TS-1C

Telemetry Transmitter

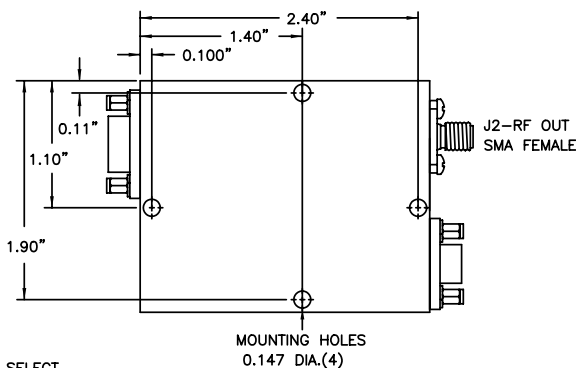
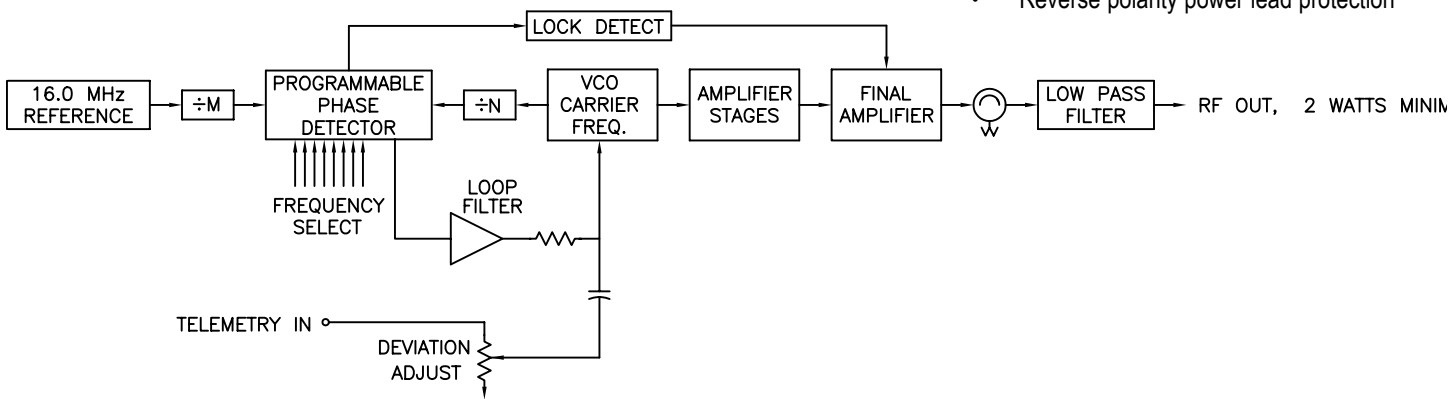
3061 Industry Drive, Lancaster, PA 17603-4025 • Tel 717-397-2777 • Fax 717-397-7079 • www.herley.com

The HFTT202TS-1C Telemetry Transmitter is an S-band, Continuous Wave (CW) FM Transmitter used primarily to relay telemetry data to a receiving ground station. The units are compact and desirable for those applications where DC power conservation, size and weight are at a premium. Applications include missiles, aircraft, unmanned airborne vehicles (UAV), sounding rockets, drone targets and space launch vehicles.

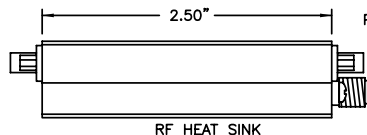
The design of the HFTT202TS-1C utilizes the latest in modern devices and circuitry. It is all solid-state to provide a reliable product with extremely long operating life.

FEATURES:

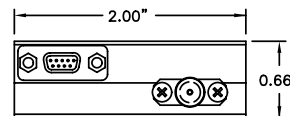
- 2 Watt minimum RF power
- Covers complete 2.3 GHz to 2.4 GHz single frequency
- Lightweight, 3.5 ounces Channelized in 0.5 MHz Steps
- All solid-state design
- Internal Isolator
- True FM, AC coupled, positive sense
- Reverse polarity power lead protection



J3-FREQ SELECT
MDM-15P
PIN # 1: GROUND
2: N/C
3: 128 MHZ
4: 32 MHZ
5: 8 MHZ
6: 2 MHZ
7: 0.5 MHZ
8: GROUND
9: N/C
10: N/C
11: 64 MHZ
12: 16 MHZ
13: 4 MHZ
14: 1 MHZ
15: N/C



J1-POWER INPUT
MDM-9P
PIN # 1: TELEMTRY IN
2: TELEMTRY RTN
3: N/C
4: GROUND
5: +28 VDC
6: GROUND
7: ON/OFF
8: GROUND
9: N/C



Typical Outline - does not show all features - not to be used for generation of control drawings. For detailed outline drawing of a specific part number please contact Herley Industries, Inc.

EXPORT SALES OF THIS PRODUCT ARE SUBJECT TO U.S. GOVERNMENT APPROVAL.
SALES WILL NOT BE APPROVED TO COUNTRIES PROHIBITED BY THE INTERNATIONAL TRAFFIC IN ARMS REGULATIONS (ITAR).