

# HFTT402S-1

## Telemetry Transmitter

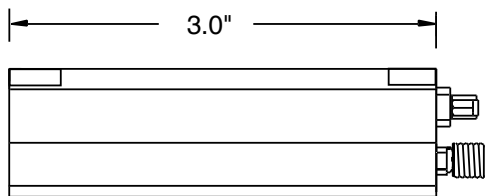
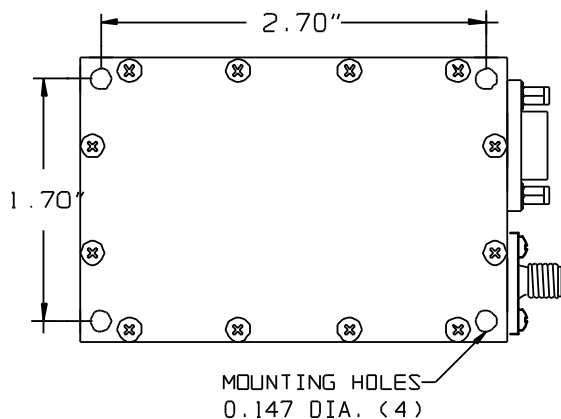
3061 Industry Drive, Lancaster, PA 17603-4025 • Tel 717-397-2777 • Fax 717-397-7079 • www.herley.com

The HFTT402S-1 Telemetry Transmitter is an S-band, Continuous Wave (CW) FM Transmitter used primarily to relay telemetry data to a receiving ground station. The units are compact and desirable for those applications where DC power conservation, size and weight are at a premium. Applications include missiles, aircraft, unmanned airborne vehicles (UAV), sounding rockets, drone targets and space launch vehicles.

The design of the HFTT402S-1 utilizes the latest in modern devices and circuitry. It is all solid-state to provide a reliable product with extremely long operating life.

### FEATURES:

- 2 Watt minimum RF power
- Covers complete 2.2 GHz to 2.3 GHz single frequency
- Lightweight, 14 ounces maximum (396.9 grams)
- All solid-state design
- Internal Isolator
- True FM, AC coupled, positive sense
- Reverse polarity power lead protection



RF HEAT SINK

