

# HFTT405DS-1C

## Digital Transmitter

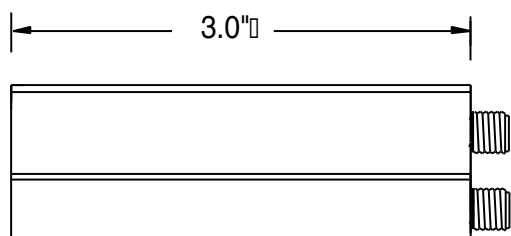
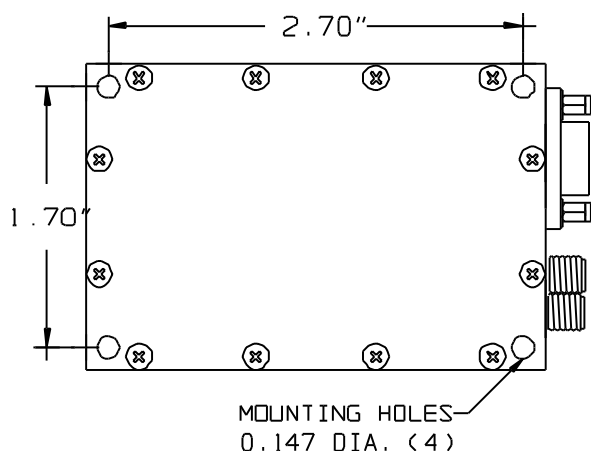
3061 Industry Drive, Lancaster, PA 17603-4025 • Tel 717-397-2777 • Fax 717-397-7079 • www.herley.com

The HFTT405DS-1C Digital Transmitter is an S-band, Continuous Wave (CW) FM Transmitter used primarily to relay telemetry data to a receiving ground station. The units are compact and desirable for those applications where DC power conservation, size and weight are at a premium. Applications include missiles, aircraft, unmanned airborne vehicles (UAV), sounding rockets, drone targets and space launch vehicles.

The design of the HFTT405DS-1C utilizes the latest in modern devices and circuitry. It is all solid-state to provide a reliable product with extremely long operating life.

### FEATURES:

- 5 Watt minimum power output
- Lightweight, 9 ounces maximum (255 grams)
- All solid-state design
- Reverse polarity protection



RF HEAT SINK

