

HFFT410TL-3C

Telemetry Transmitter

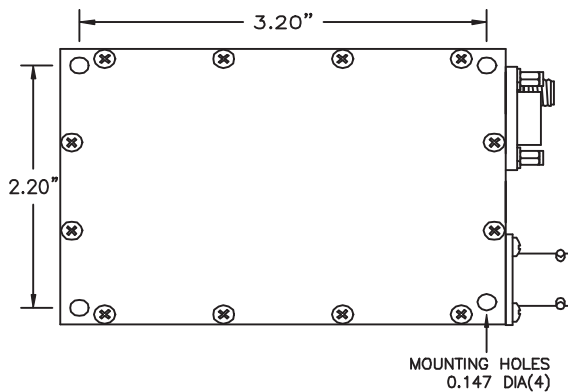
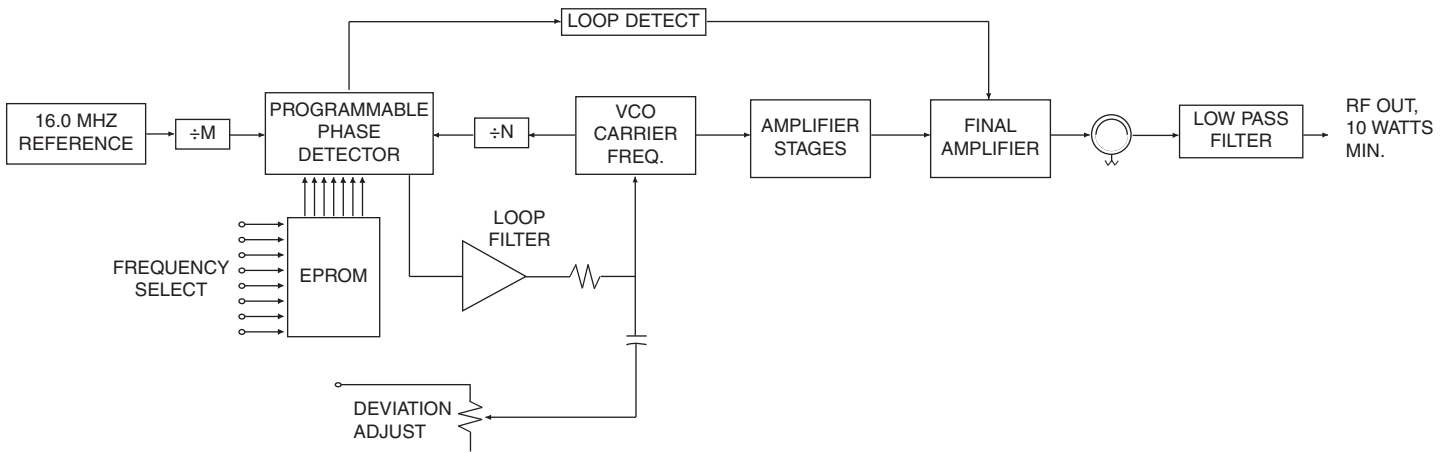
3061 Industry Drive, Lancaster, PA 17603-4025 • Tel 717-397-2777 • Fax 717-397-7079 • www.herley.com

The HFFT410TL-3C Telemetry Transmitter is an L-band transmitter used primarily to relay telemetry data to a receiving ground station. The units are compact and desirable for those applications where DC power conservation, size and weight are at a premium. Applications include missiles, aircraft, unmanned airborne vehicles (UAV), sounding rockets, drone targets and space launch vehicles.

The design of the HFFT410TL-3C series utilizes the latest in modern devices and circuitry. They are all solid-state to provide a reliable product with extremely long operating life.

FEATURES:

- 10 Watt minimum power output
- Lightweight, 12 ounces maximum (340 grams)
- All solid-state design
- Reverse polarity protection



J1-POWER INPUT
 'A' +28 VDC
 'B' N/C
 'C' GROUND
 'D' GROUND
 #PT02H-8-4P

J3-FREQUENCY SELECT
 MDM- 9P
 MICRO MINIATURE
 PIN# BCD 100
 1: BCD 80
 2: BCD 40
 3: BCD 20
 4: BCD 10
 5: BCD 8
 6: BCD 4
 7: BCD 2
 8: BCD 1
 9: BCD 1

