

# HFTT502TS-2

## Telemetry Transmitter

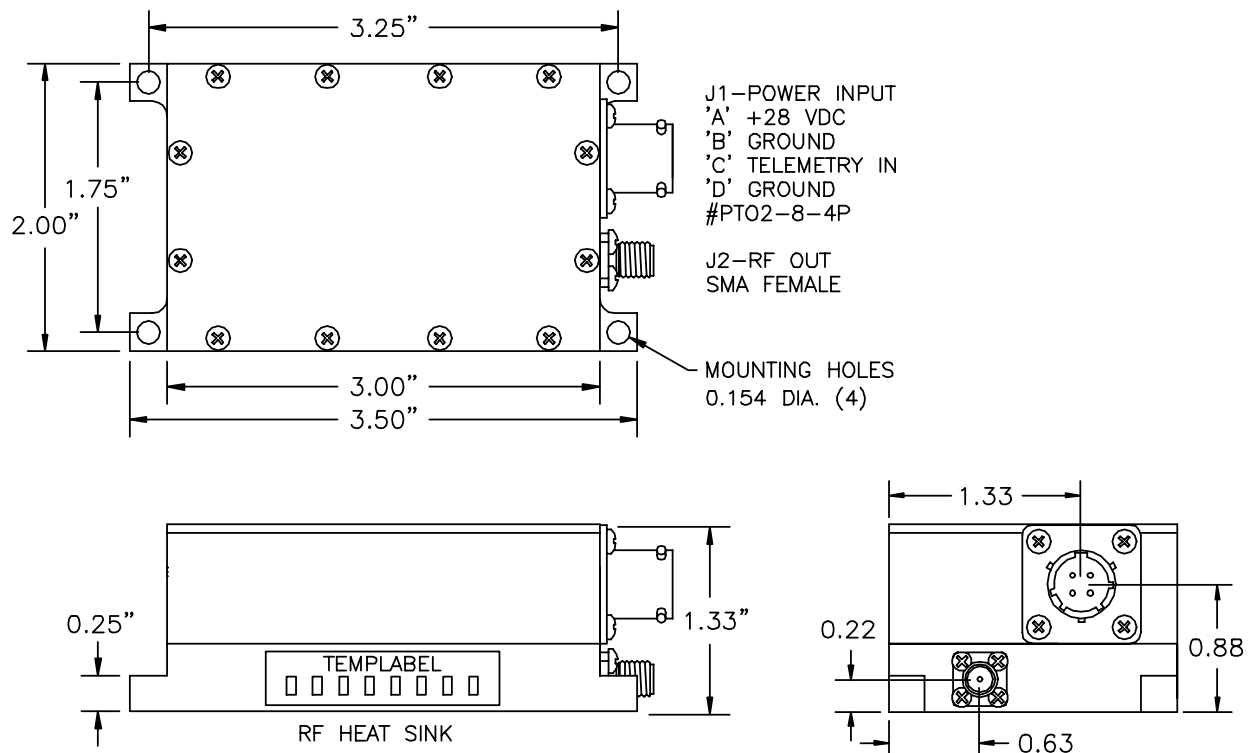
3061 Industry Drive, Lancaster, PA 17603-4025 • Tel 717-397-2777 • Fax 717-397-7079 • www.herley.com

### FEATURES:

The HFTT502TS-2 Telemetry Transmitter is an S-band, Continuous Wave (CW) FM Transmitter used primarily to relay telemetry data to a receiving ground station. The units are compact and desirable for those applications where DC power conservation, size and weight are at a premium. Applications include missiles, aircraft, unmanned airborne vehicles (UAV), sounding rockets, drone targets and space launch vehicles.

The design of the HFTT502TS-2 utilizes the latest in modern devices and circuitry. It is all solid-state to provide a reliable product with extremely long operating life.

- 2 Watt minimum RF power
- Covers complete 2200.5 to 2299.5 MHz single frequency
- Lightweight, 12 ounces maximum (340.2 grams)
- All solid-state design
- Internal Isolator
- True DC coupled, positive sense
- Reverse polarity power lead protection



Typical Outline - does not show all features - not to be used for generation of control drawings. For detailed outline drawing of a specific part number please contact Herley Industries, Inc.

EXPORT SALES OF THIS PRODUCT ARE SUBJECT TO U.S. GOVERNMENT APPROVAL.  
SALES WILL NOT BE APPROVED TO COUNTRIES PROHIBITED BY THE INTERNATIONAL TRAFFIC IN ARMS REGULATIONS (ITAR).