

# MD401C

## C-Band Radar Transponder

3061 Industry Drive, Lancaster, PA 17603-4025 • Tel 717-397-2777 • Fax 717-397-7079 • [www.herley.com](http://www.herley.com)

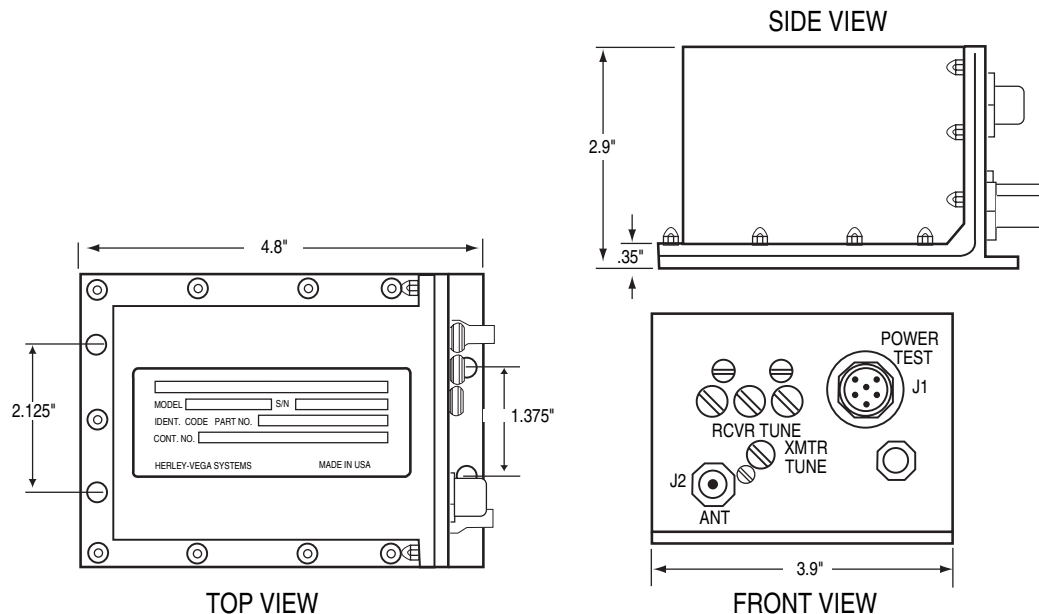


### FEATURES:

- 400 Watt typical peak power output
- Long life magnetron transmitter
- Sensitive superheterodyne receiver
- Small, less than 54 cubic inches (900 cubic cms)
- Lightweight, less than 51 ounces (1446 grams)
- Tunable over 5.4 to 5.9 GHz
- Adjustable internal delay
- Reverse polarity power lead protection
- Single and double pulse interrogation settings
- Adjustable code spacing
- Built-in duplexer for single antenna operation and protection from high antenna reflections

The MD401C Radar Transponder is a general purpose augmentation device used to enhance the tracking capability of C-band radars. Utilized primarily for range tracking and safety functions, the MD401C is suitable for use on both manned and unmanned vehicles. The transponder is applicable to aircraft, missiles, space launch vehicles, space satellites and drone targets, both sea and airborne.

The design of the MD401C utilizes the latest in modern devices and circuitry. It is all solid-state, except for the magnetron, to provide a reliable product with extremely long operating life. Typical output peak power is 400 watts, tunable over the 5.4 to 5.9 GHz frequency range.



Typical Outline - does not show all features - not to be used for generation of control drawings. For detailed outline drawing of a specific part number please contact Herley Industries, Inc.

EXPORT SALES OF THIS PRODUCT ARE SUBJECT TO U.S. GOVERNMENT APPROVAL.  
 SALES WILL NOT BE APPROVED TO COUNTRIES PROHIBITED BY THE INTERNATIONAL TRAFFIC IN ARMS REGULATIONS (ITAR).