

# MD50C-5 C-Band Radar Transponder

3061 Industry Drive, Lancaster, PA 17603-4025 • Tel 717-397-2777 • Fax 717-397-7079 • www.herley.com



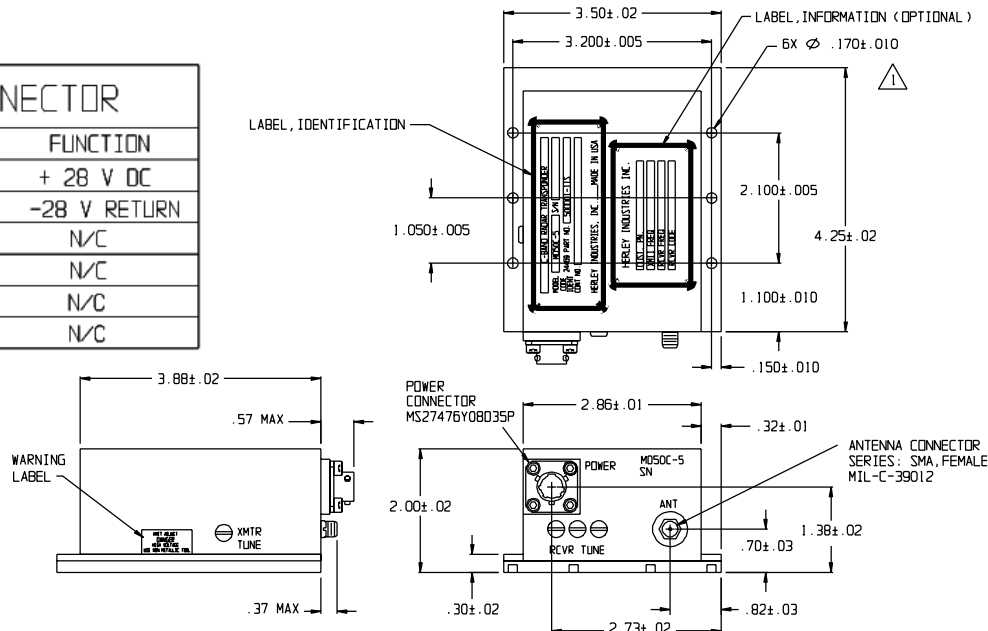
## FEATURES:

- 50 Watt peak power output
- Long life triode cavity oscillator transmitter
- Sensitive direct RF-to-video detection receiver
- Small, less than 30 cubic inches (490 cubic cms)
- Lightweight, less than 20 ounces (567 grams)
- Tunable over 5.4 to 5.9 GHz
- Adjustable internal delay
- Reverse polarity power lead protection
- Single and double pulse interrogation settings
- Adjustable code spacing
- Built-in duplexer for single antenna operation and protection from high antenna reflections

The MD50C-5 Radar Transponder is a miniature precision augmentation device used to enhance the capability of C-band radars. Utilized primarily for range safety functions, the MD50C-5 is suitable for use in both manned and unmanned vehicles. This transponder is applicable to precision tracking of aircraft, sounding rockets, missiles, and drone targets, both sea and airborne. Through the use of a state-of-the-art RF-to-video detection receiver, typical IF down conversion components such as the local oscillator, mixer, and IF amplifier are eliminated. The reduced parts count leads to increased overall unit reliability.

The design of the MD50C-5 utilizes the latest in modern devices and circuitry. It is all solid-state, except for the triode transmitter, to provide a reliable product with extremely long operating life.

PWR CONNECTOR	
PIN	FUNCTION
1	+ 28 V DC
2	-28 V RETURN
3	N/C
4	N/C
5	N/C
6	N/C



Typical Outline - does not show all features - not to be used for generation of control drawings. For detailed outline drawing of a specific part number please contact Herley Industries, Inc.

EXPORT SALES OF THIS PRODUCT ARE SUBJECT TO U.S. GOVERNMENT APPROVAL.  
SALES WILL NOT BE APPROVED TO COUNTRIES PROHIBITED BY THE INTERNATIONAL TRAFFIC IN ARMS REGULATIONS (ITAR).